



## ALDEBARAN® RAPTOR PRO LED SERIES

Efficiency and universal usability were basic ideas for the consequent further development of the popular ALDEBARAN® RAPTOR PRO LED SERIES.

Additionally to the high luminous efficiency and the emitting characteristic recreated after the classical halogen floodlights, the Professional versions have several additional features.

Whether it is bolt reception for quick and tool-less mast mounting or the foldable stand foot for the spontaneous installation on the floor. With the RAPTOR PRO RP LED SERIES, there will be no operation without the right light. The professional use of the PRO series is complemented with the handy and also integrated cable rewind.

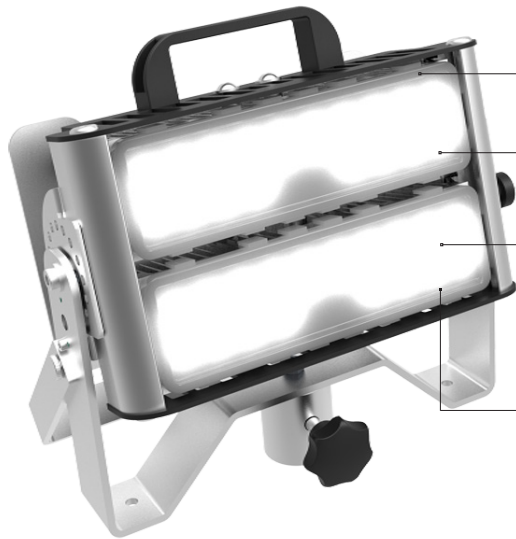
### FEATURES

- Use of energy-saving LED technology
- Extremely homogeneous light distribution modeled after the halogen floodlights.
- Glare-free light without stray via SETO XPECT lens technology
- Universal usability with the bolt reception or installation on the ground with integrated, foldable standing foot.

### TECHNICAL DATA

<i>Electrical Data</i>	<b>PRO RP1000 LED</b>	<b>PRO RP2000 LED</b>
Input voltage	100 to 240 V AC	100 to 240 V AC
Power consumption	160 W	150 W
<i>Photometric Data</i>		
Illuminant	2 x XPECT2 LED module	2 x XPECT2 LED module
Luminous Flux	16,000 lm	25,500 lm
Luminous Flux (REAL Lumen)*	14,500 lm	23,500 lm
Durability	50,000 h	50,000 h
Colour temperature	5,000 K	5,000 K
CRI	> 70	> 70
<i>General Data</i>		
Ambient temperature	-40 to +59 °C	-40 to +59 °C
Dimension (L x W x H) approx.	340 x 300 x 155 mm	340 x 300 x 155 mm
Weight approx.	6.5 kg	6.5 kg
IP Class	IP65	IP67
<b>Item-no.:</b>	<b>1410000860</b>	<b>1410000868</b>

\* Lumen = Lm / In the "Lumen REAL" is REAL measured light output quantities.



High quality cooling element made of special aluminium lowers the operation temperature and significantly raises the durability of the high power LEDs

Extremely resistant SETO XPECT LENS OPTICS made of impact-resistant polycarbonate for optimal bundling and alignment of the generated LED light effectively prevents "light pollution"

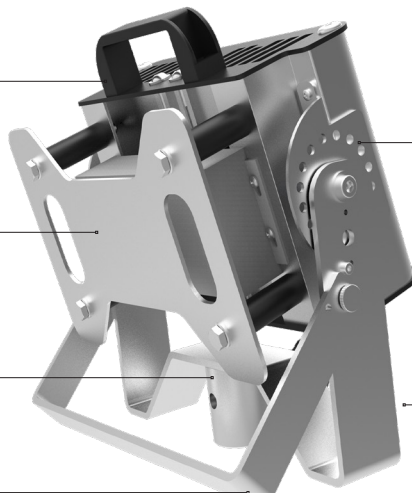
Up to 18 high power LEDs per module create the bright and extreme homogeneous light pattern together with the SETO XPECT lens technology

Comfort handle for easy carrying and adjustment

The 3 mm thick protection plate made of aluminium makes this Raptor even more durable

The bolt reception for the stand mounting

Integrated folding clamp for fast operation of the RAPTOR on the ground



Multi-level adjustment mechanism for optimal alignment of the light beam

Robust standing foot made of 5 mm thick aluminium